

# MotorGuide<sup>®</sup>

2018



## Built to Earn You Bragging Rights.

MotorGuide knows that your trolling motor should be the least of your worries when you hit the water. In fact, we believe it should help you catch more fish. That's why we're committed to building trolling motors that make your precious time on the water as rewarding as possible.

We do that by making quiet motors, so you can maneuver stealthily and confidently in pursuit of fish. We focus on steering systems that are precise and responsive, so you can stay in control—even in challenging conditions. And we're passionate about making durable, easy-to-use motors that you can rely on.

Look over our complete lineup and find the motor that's best for your boat and for how you fish. And then put it to work to bring in the catch—and the bragging rights.

## We have the motor for how you fish.

We're sure to have the power, mount location, and steering type that matches your boat and fishing style.

### X Series Bow Mount Motors

Foot-control models come standard with Variable Ratio Steering (VRS) for reduced torque steering and improved boat control to help you stay on fish, even in challenging conditions. All are built with robust components for quiet, reliable operation. There are also several hand-control models to meet your needs.

### Xi Series Bow Mount Motors

Wireless capability right out-of-the box for versatility and control. Available with Pinpoint® GPS and connectivity to compatible Lowrance® displays for enhanced functionality. Best-in-class steering, quiet operation, and ease of use.

### R Series Transom Mount Motors

Available in a wide range of power levels and speed control options with performance and value in mind.

Bow Mount		Transom Mount	
<b>Freshwater</b>	<b>Saltwater</b>	<b>Freshwater</b>	<b>Saltwater</b>
<p> <i>Hand Control</i></p> <p><b>X3</b> ..... page 16</p> <p><b>X5</b> ..... page 16</p>	<p> <i>Hand Control</i></p> <p><b>X3</b> ..... page 22</p> <p><b>X5</b> ..... page 23</p>	<p> <i>Hand Control</i></p> <p><b>R3</b> ..... page 17</p> <p><b>R5</b> ..... page 17</p>	<p> <i>Hand Control</i></p> <p><b>R3</b> ..... page 24</p> <p><b>R5</b> ..... page 25</p>
<p> <i>Foot Control</i></p> <p><b>X3</b> ..... page 12-13</p> <p><b>X5</b> ..... page 14-15</p>	<p> <i>Wireless</i></p> <p><b>Xi3</b> ..... page 20</p> <p><b>Xi5</b> ..... page 21</p>	<p> <i>Foot Control</i></p> <p><b>Bulldog</b> ..... page 18</p>	
<p> <i>Wireless</i></p> <p><b>Xi3</b> ..... page 8-9</p> <p><b>Xi5</b> ..... page 10-11</p>			

## Selecting Your Trolling Motor

### Trolling Motor Power Needs

A general guideline is 2 lbs. thrust for every 100 lbs. of total weight (boat, fuel, occupants, gear). If you fish in wind or strong current, add 10 lbs. thrust.

### Determine Shaft Length

Measure from the top of the bow where the motor is mounted to the water line. Then add 20" to this measurement. The shaft length should be equal to or greater than this sum.

# Pinpoint® GPS

NEW Xi3



## Because Accuracy Matters.

The Xi Series motors with optional Pinpoint® GPS take boat control to the next level. Pinpoint® GPS has an integrated receiver and two digital compasses that ensure accuracy and reliability. The combination of Pinpoint® GPS and the Xi Series is sure to satisfy control freaks— and make fishing more rewarding than ever.



**ANCHOR**  
When at a desired spot, you can lock in the GPS coordinate and remain “anchored” within a few feet, even in wind and current.



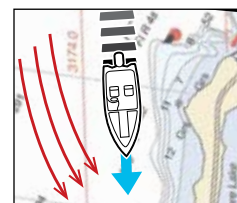
**JOG**  
While in Anchor mode, use the Jog feature to shift your position five feet in any direction, as often as you want.



**HEADING LOCK**  
Choose a heading and Pinpoint® GPS keeps you on a straight-line course until Heading Lock is released.



**ROUTE RECORD/PLAYBACK**  
Record and store eight routes up to four miles long. Return to and replay a stored route from anywhere.



**CRUISE CONTROL**  
While underway using Heading Lock or Route Playback, Cruise Control will maintain a constant boat speed.

**YouTube** For more about Pinpoint® GPS and connectivity with Lowrance®, go to [motorguide.com](http://motorguide.com) and our YouTube site.

# LOWRANCE®

## The Ultimate in Boat Control.

Connect our Xi Series motors with Pinpoint® GPS to compatible Lowrance® displays for the ultimate in boat control. This seamless technology interface makes it easy to maximize Pinpoint® GPS functionality and create new fishing strategies.

- There’s no limit to the number of waypoints you can save, which makes it easy to hit your favorite spots.
- Program your favorite trolling routes, set your speed, and fish like a pro.
- Target promising locations by using real-time data on structure and more.



Trolling Motor Status at a Glance and Enhanced Anchor Mode Functionality



Use Sonar History to Trackback and Target Fish or Structure



Follow Depth and Structure with Programmable Routes

## SYSTEM REQUIREMENTS





VARIABLE RATIO STEERING (VRS)



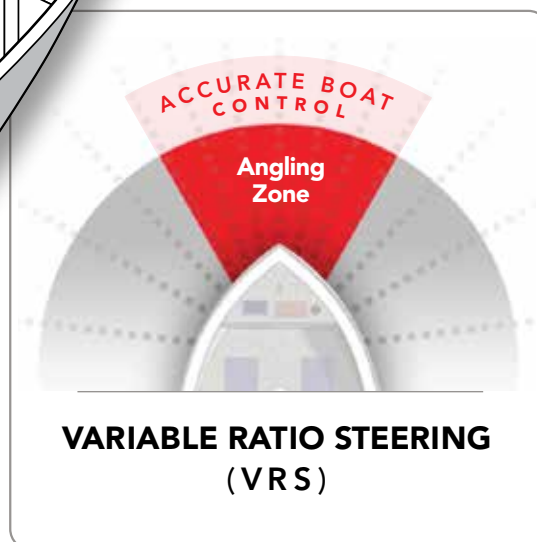
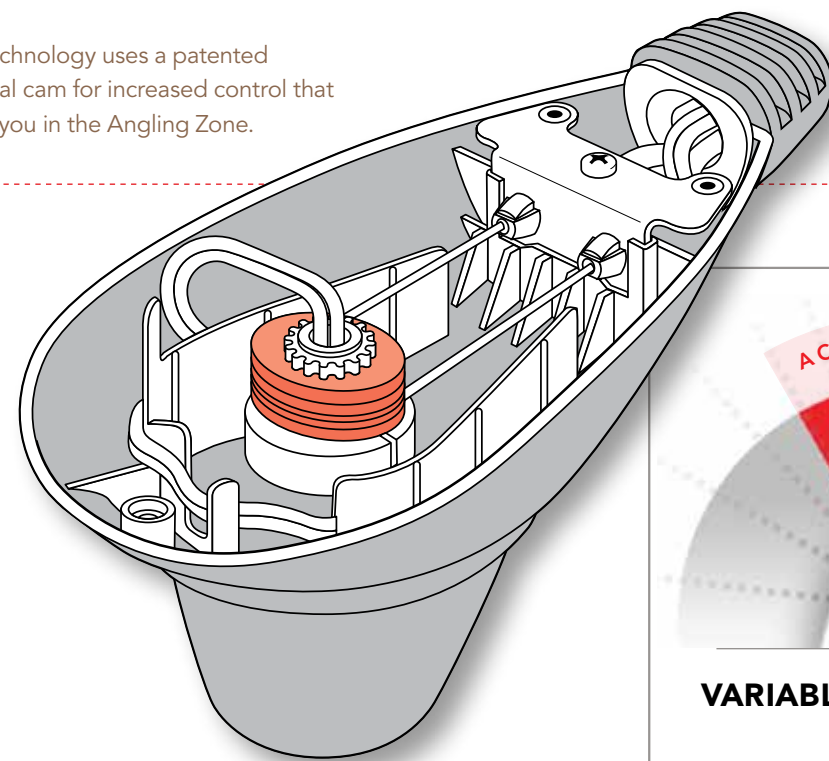
Only from MotorGuide.

**Fight the Fish—Not Your Trolling Motor.**

The X Series foot-control motors feature patented Variable Ratio Steering (VRS) technology that makes it easy to position your boat in challenging conditions like wind, rough water, and heavy cover that typically create problems from torque steering. VRS keeps you in control, so you can fight the fish, instead of the motor.



VRS technology uses a patented elliptical cam for increased control that keeps you in the Angling Zone.

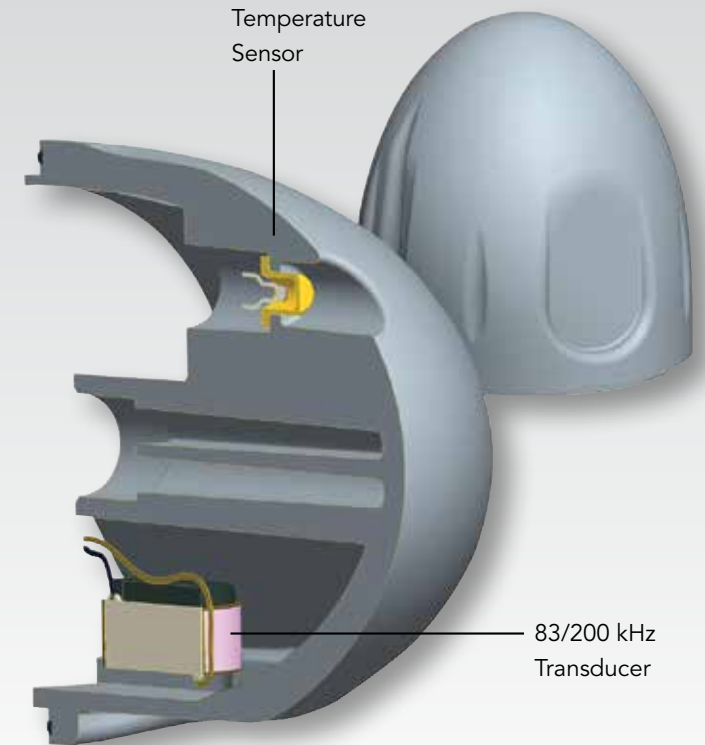


SONAR / DIGITAL



**Unrivaled Sonar Performance.**

Our built-in 83/200 kHz sonar transducer delivers industry-leading clarity and detail, so you can pinpoint more fish and structure. It has an integrated temperature sensor and epoxy-potted nose cone for maximum protection. Compatibility with most leading sonar brands is easy with our Sonar Adapter cables.



**Run the Digital Difference.**

Smooth and precise variable speed control from 0% - 100% throttle and extended battery life (up to five times longer) are two reasons why more anglers are choosing motors with our Digital Power Management technology. Digital's highly efficient, state of the art components run at lower temperatures, which means more thrust to the motor. Plus, smart safeguards protect the motor when operating under severe conditions.



NEW



WIRELESS / Xi3

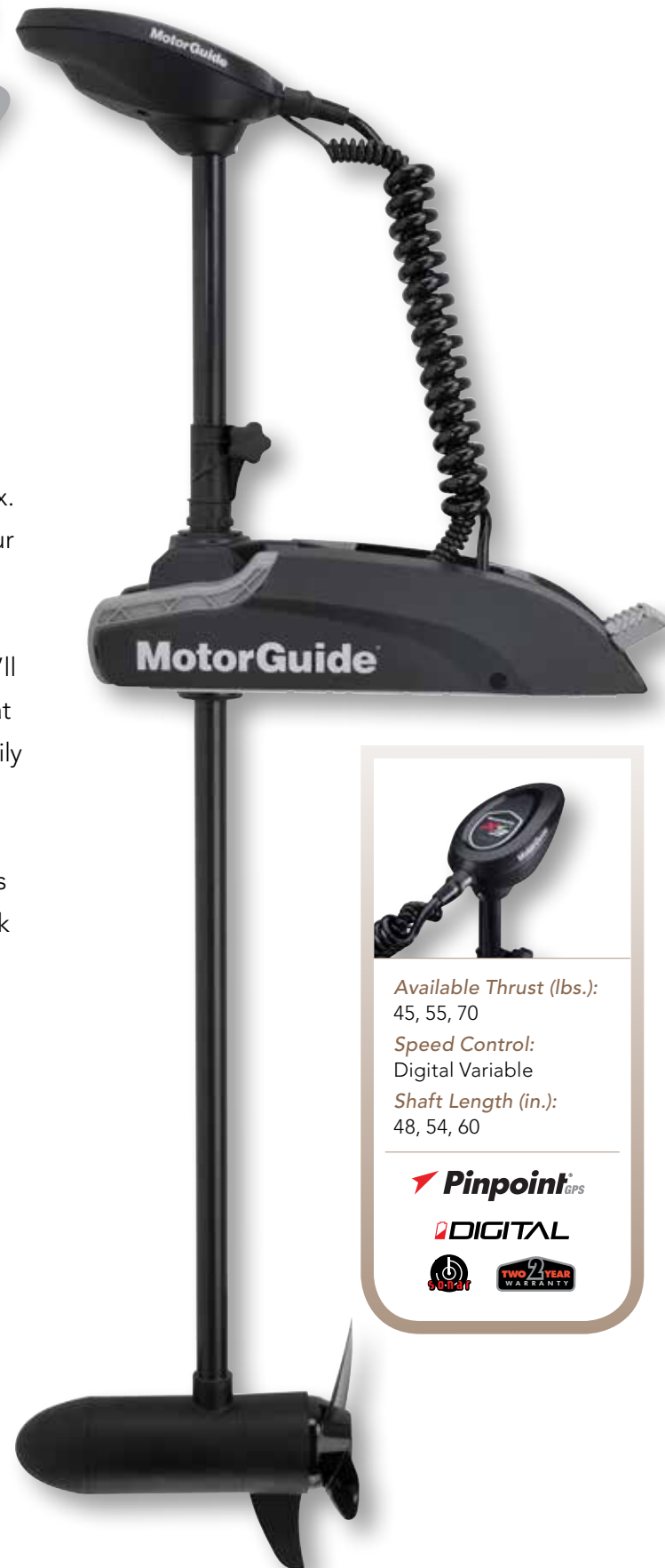


**Locked, Loaded, and Ready to Stay on Fish.**

The all-new Xi3 electric steer gives you true wireless control right out of the box. You'll command the motor and pick your spots from anywhere on the boat with a convenient hand-held remote. And when it's time to pull up and move, you'll appreciate the easy stow and deploy that starts with a wide release lever that's readily accessible from a safe and comfortable standing position. When you're back in action, the Xi3 shows off its best-in-class whisper quiet operation that won't spook fish—so your skills will really pay off.



Large release lever triggers both stow and deploy functions from a standing position for easy and safe operation. Visual and audible cues indicate when the motor is locked in the stowed position.



Available Thrust (lbs.):  
45, 55, 70  
Speed Control:  
Digital Variable  
Shaft Length (in.):  
48, 54, 60



Compact hand-held remote controls Xi3 from anywhere on the boat. A wireless foot pedal is available as an accessory.



LED status indicators help you monitor four key motor functions at a glance, including three levels of battery life.



**Pinpoint<sup>GPS</sup>**

Available Pinpoint<sup>®</sup> GPS navigates your boat so you can focus on fishing. Features include Anchor, Jog, Heading Lock, Route Record, and Cruise Control.



For the ultimate in boat control, connect the Xi3 with Pinpoint<sup>®</sup> GPS to compatible Lowrance<sup>®</sup> displays and fish like never before.







WIRELESS / Xi5

# Xi5

## Built to Satisfy Control Freaks.


Whether you're fishing in a big water walleye chop, or navigating strong river currents, the Xi5 is more than up to the task. It's known for its precise, responsive, and quiet steering, so there's little chance of spooking fish. Plus, the Xi5 is wireless right out of the box, so you're free to fish from anywhere on the boat with the standard pro-style foot pedal, or optional hand-held remote.

The optional Pinpoint® GPS makes it easy to up your game with popular functions like Anchor, Jog, and Heading Lock control. So take control of the water—and your fishing strategies—with the accurate, tough, and proven Xi5.



**72" shaft  
Now Available**

DURABLE LOWER UNIT is constructed of solid steel and aluminum with a powder coat finish.



Available Thrust (lbs.):  
55, 80, 105  
Speed Control:  
Digital Variable  
Shaft Length (in.):  
45, 48, 54, 60, 72

**Pinpoint<sup>®</sup> GPS**  
**DIGITAL**  
**TWO YEAR WARRANTY**



Wireless pro-style foot pedal for outstanding control from anywhere on the boat. Steering is the quietest and most responsive available, with 50% faster rotation than the competition.



A unique dual stow cradle design guides and secures the motor into the stowed position. A secondary safety catch prevents the motor from deploying and striking the boat.



LED status indicators help you monitor four key motor functions at a glance, including three levels of battery life.

## Pinpoint<sup>®</sup> GPS



Available Pinpoint® GPS navigates your boat so you can focus on fishing. Features include Anchor, Jog, Heading Lock, Route Record, and Cruise Control.

For the ultimate in boat control, connect Xi5 with Pinpoint® GPS to compatible Lowrance® displays and fish like never before.



*"The Xi5 is the standard for big-water walleye fishermen."*

—Keith Kavajecz, professional angler and host of The Next Bite







# X3

## The Performance and Value Standard.

The rugged X3 is constructed with durable components and is loaded with premium features, like our patented Variable Ratio Steering (VRS) and available Digital Power Management technology for smooth operation and longer battery life. The X3's winning combination of performance and value make it a popular choice for serious anglers.



Available Thrust (lbs.):  
45, 55, 70

Speed Control:  
5 Speed, Digital Variable

Shaft Length (in.):  
36, 45, 50

**DIGITAL**

**VRS** **TWO YEAR WARRANTY**

ERGONOMIC, heel-toe foot pedal is easy to use.



Durable and reliable with a rigid aircraft-grade aluminum mount and stainless steel bushings in key wear areas, a rugged composite inner shaft, and a large-diameter stainless steel outer shaft.



Quiet on the water with a composite locking pin that maintains a tight fit with the mount. Composite bushings in key areas also reduce noise while operating and during stowing and deploying.

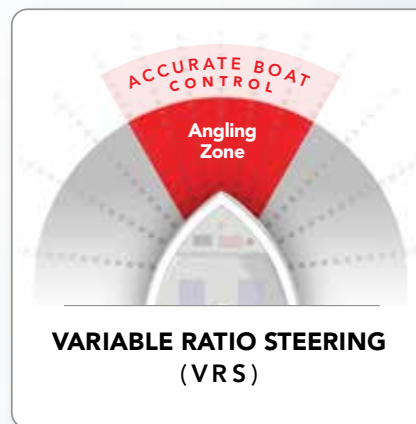


Foot control models feature a lighted steering indicator illuminated with LEDs. (Digital models only)



Only from MotorGuide.

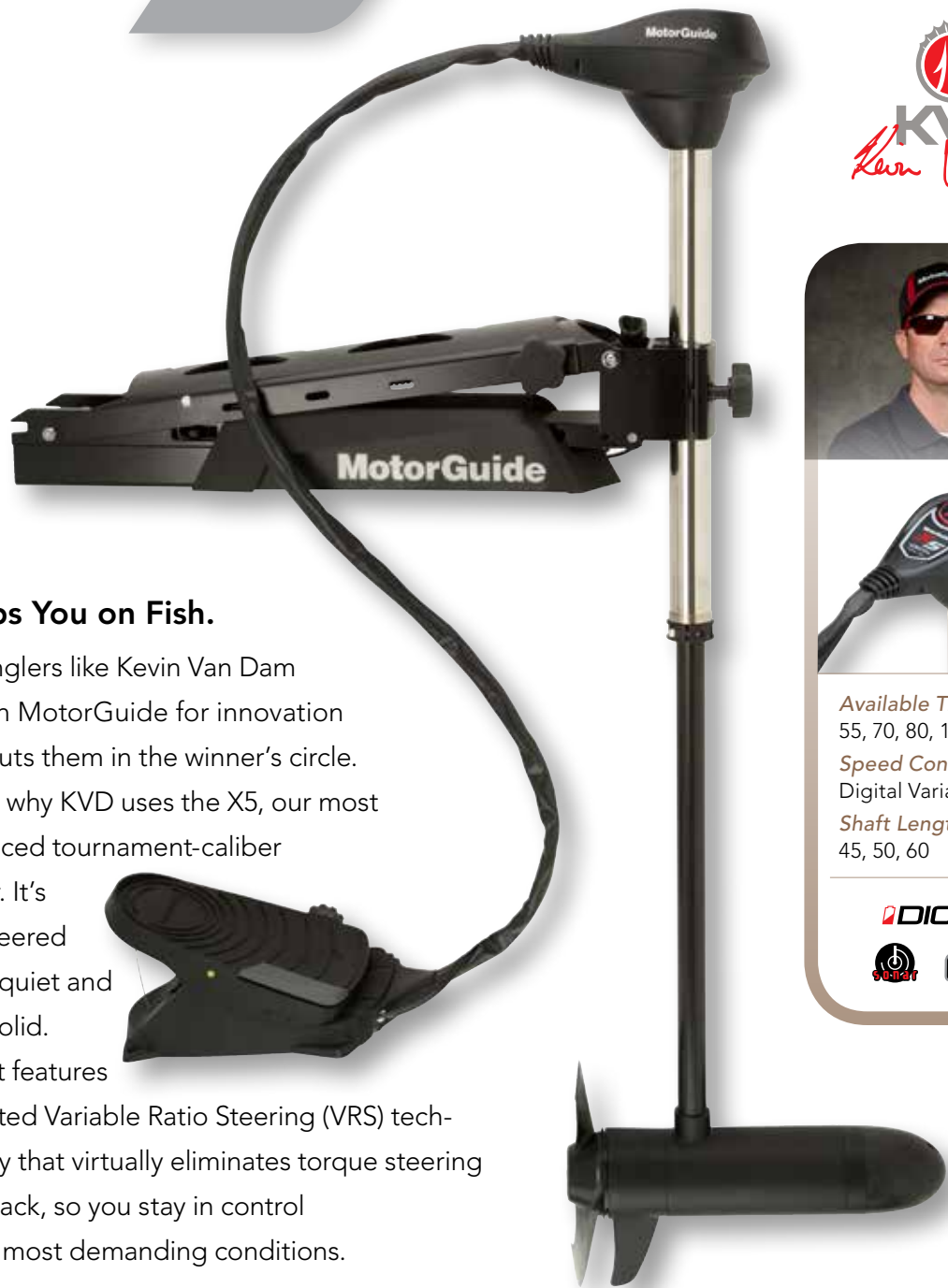
Patented Variable Ratio Steering (VRS) makes it easy to accurately position your boat, even in wind, rough water, and heavy cover that typically create torque steering problems. With VRS, you can stay in position and fight the fish, instead of your trolling motor.







# X5





Available Thrust (lbs.):  
55, 70, 80, 105

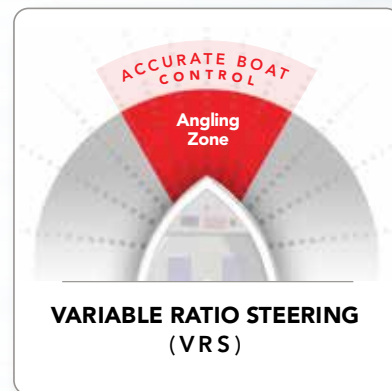
Speed Control:  
Digital Variable

Shaft Length (in.):  
45, 50, 60




### Keeps You on Fish.

Pro anglers like Kevin Van Dam rely on MotorGuide for innovation that puts them in the winner's circle. That's why KVD uses the X5, our most advanced tournament-caliber motor. It's engineered to be quiet and rock solid. Plus, it features patented Variable Ratio Steering (VRS) technology that virtually eliminates torque steering feedback, so you stay in control in the most demanding conditions.



Only from MotorGuide.

Patented Variable Ratio Steering (VRS) makes it easy to accurately position your boat, even in wind, rough water, and heavy cover that typically create torque steering problems. With VRS, you can stay in position and fight the fish, instead of your trolling motor.



Shock-absorbing polymer washers, and composite locking pin and bushings make the X5 quiet on the water.



Wide breakaway mount, oversized stainless steel outer shaft, and premium composite inner shaft for strength and durability.



Foot control models feature a lighted steering indicator illuminated with LEDs. (Digital models only)





# X3



HAND CONTROL / X3-X5



Available Thrust (lbs.):  
45, 55, 70  
Speed Control:  
5/2, Digital Variable  
Shaft Length (in.):  
50



## Performance and Value.

- Twist handle extends for improved control
- Composite shaft is guaranteed for life
- Quiet 3-Blade Machete prop

Twist-tiller operation with ergonomic extending handle.



The powerful **new X5** moves your boat where you want, when you want, so you can stay on track. And its rugged construction lets you move in and out of those treacherous hot spots with confidence. Just be sure to have your net ready.

HAND CONTROL / R3-R5



# R3



Durable lower units on the X and R Series are constructed of solid steel and aluminum with a powder coat finish.

## A Versatile Performer.

- Classic twist-tiller operation
- Reversible motor head for bow or backtrolling operation
- Tough aluminum seven-position transom mount



The **new R5** offers the most power in a transom mount motor, so you can fish with a bold new attitude. Plus, Digital technology delivers the power smoothly—and keeps you on the water longer. Just think about all the places the new R5 will take you.



Available Thrust (lbs.):  
30, 40, 45, 55  
Speed Control:  
5/2, Digital Variable  
Shaft Length (in.):  
30, 36, 42



# X5



Available Thrust (lbs.):  
80  
Speed Control:  
Digital Variable  
Shaft Length (in.):  
50



## Power to Spare, with Digital Control.

- Rigid, wide-stance aluminum mount
- Digital Power Management for long battery life
- Quiet 3-Blade Machete prop



# R5



Available Thrust (lbs.):  
70, 80, 105  
Speed Control:  
Digital Variable  
Shaft Length (in.):  
42



## Power that Works Overtime.

- New robust transom mount design
- Reversible motor head for bow or backtrolling operation
- Digital Power Management for long battery life





# Bulldog

## Small Boat Workhorse.

The Bulldog is specialized for small boat, transom mount applications. It has plenty of power to get the job done whether you're fishing, or just motoring around on your favorite lake.



Available Thrust (lbs.):  
40, 54

Speed Control:  
5 Speed

Shaft Length (in.):  
30




Versatile transom mount can be modified for backtrolling from the bow

# Pontoon

## Pontoon Perfect.

With a MotorGuide moving your pontoon, you can kick back and enjoy the ride. Our pontoon-specific motors feature Digital Power Management, so you'll get the most out of your battery life, and maximum run time.



**NEW X13**



Available Thrust (lbs.):  
54, 68

Speed Control:  
Digital Variable

Shaft Length (in.):  
48

**Pinpoint**<sup>GPS</sup>  
COMPATIBLE

**DIGITAL**




Available Thrust (lbs.):  
55, 70

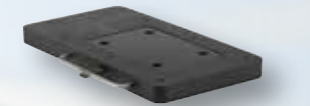
Speed Control:  
Digital Variable

Shaft Length (in.):  
50

**DIGITAL**



Out-of-the-box wireless for control anywhere on the pontoon.



Quick release bracket (8M0120717, pg 27) makes it easy to remove the Xi3.



Digital Power Management extends battery life up to five times, so you can run longer. Plus, the variable speed control is smooth and precise.



NEW



WIRELESS / Xi3



**Locked, Loaded, and Ready to Stay on Fish.**

The new Xi3 is the latest in the Xi electric steer motor series. It's wireless out of the box, so you're immediately in control from anywhere on the boat. That means you're free to move around to better scan the flats, or find the ideal position for casting. During a long day of hitting your favorite spots, you'll really appreciate the easy stow and deploy design with a wide release lever that's accessible from a safe and comfortable standing position. And while you're pursuing the next trophy, the Xi3 shows off its best-in-class quiet operation that won't spook fish.



Large release lever triggers both stow and deploy functions from a standing position. Visual and audible cues indicate when the motor is locked in the stowed position.



Compact hand-held remote controls Xi3 and Xi5 from anywhere on the boat. A wireless foot pedal is available as an accessory.



Xi Series shafts are made of a premium composite material with a lifetime warranty. Lower units are protected with a proprietary three-coating process to withstand corrosion.

**Available Thrust (lbs.):**  
55, 70

**Speed Control:**  
Digital Variable

**Shaft Length (in.):**  
48, 54, 60

**Pinpoint<sup>®</sup>GPS**

**DIGITAL**

**SELECT** **TWO YEAR WARRANTY**

WIRELESS / Xi5



**Designed to Give You an Edge.**

Saltwater anglers from the bayous to the Keys are putting the versatile Xi5 to work wherever there are fish to be caught. From pursuing bonefish in the flats, to weaving in and out of a shoreline track, the Xi5's precise steering control and stealthily quiet operation gives anglers the edge against skittish fish. And the Xi5 packs plenty of power for moving your boat, while Digital Power Management technology ensures you can stay out for the long haul.

**Pinpoint<sup>®</sup>GPS**



Available Pinpoint<sup>®</sup> GPS navigates your boat so you can focus on fishing. Features include Anchor, Jog, Heading Lock, Route Record, and Cruise Control.

For the ultimate in boat control, connect Xi Series with Pinpoint<sup>®</sup> GPS to compatible Lowrance<sup>®</sup> displays and fish like never before.



LED status indicators help you monitor four key motor functions at a glance, including three levels of battery life.



**72" shaft  
Now Available**

**Available Thrust (lbs.):**  
55, 80, 105

**Speed Control:**  
Digital Variable

**Shaft Length (in.):**  
48, 54, 60, 72

**Pinpoint<sup>®</sup>GPS**

**DIGITAL**

**SELECT** **TWO YEAR WARRANTY**







HAND CONTROL / X3

# X3

## Performance and Value Leader.

The X3 is a versatile everyday performer that quietly gets the job done. You can count on its rugged construction and unbreakable composite shaft to take you in and out of the tough spots. And the smooth-operating Digital Power Management technology extends battery life up to five times, so you can plan on staying out longer in pursuit of your favorite fish.



Classic twist-tiller operation and ergonomic extending handle for added control and comfort.



Rigid wide-stance mount is made of aircraft-grade aluminum alloy with composite bushings in key wear areas for durability and quiet operation.



Shaft is made of a premium composite material with a lifetime warranty. Lower unit is protected with a proprietary three-coating process to withstand corrosion.



**Available Thrust (lbs.):**  
55, 70  
**Speed Control:**  
Digital Variable  
**Shaft Length (in.):**  
50

**DIGITAL****TWO YEAR WARRANTY****NEW**

HAND CONTROL / X5



# X5

## Power to Spare, with Digital Control

The new X5 continues MotorGuide's legacy of building powerful and smooth-operating saltwater motors that you can count on for top performance in the harshest conditions. The X5 has the available thrust to move you over long stretches on the flats, whether you're running a skiff or a big bay boat. And with Digital Power Management technology extending the battery life, you can plan on spending more time fishing. Power, refinement, and durability. It's what you'd expect from the company that invented saltwater-specific motors.



A robust and rigid wide-stance mount is made of aircraft-grade aluminum alloy with composite bushings in key wear areas for durability and quiet operation.



**Available Thrust (lbs.):**  
80, 105  
**Speed Control:**  
Digital Variable  
**Shaft Length (in.):**  
50, 60

**DIGITAL****TWO YEAR WARRANTY****DIGITAL**  
POWER MANAGEMENT

Digital Power Management extends battery life up to five times, so you can run longer. Plus, the variable speed control is smooth and precise.





HAND CONTROL / R3

# R3

## A Versatile Performer.

The R3 gets the job done for anglers looking for a transom mount motor that combines workhorse operation with the right level of refinement. Its smooth-running Digital Power Management technology ensures longer run time between battery charges. For even more flexibility, the motor head is reversible for bow-mount operation.



Classic twist-tiller operation and ergonomic extending handle for added control and comfort.



**Available Thrust (lbs.):**  
45, 55  
**Speed Control:**  
Digital Variable  
**Shaft Length (in.):**  
18, 36

**DIGITAL**



The powder-coated aluminum alloy transom mount has stainless steel locking pins for strength and solid engagement in seven positions.

HAND CONTROL / R5



NEW

# R5

## Power that Works Overtime.

You can count on the new R5 transom mount to deliver the thrust to move you effortlessly over long stretches. And with Digital Power Management technology extending the battery life, you can plan on spending more time fishing your favorite areas. Plus, MotorGuide invented saltwater-specific trolling motors, so we know a thing or two about protecting your investment from corrosion. Fish with more purpose and confidence than ever before with the all-new R5.

The rigid aluminum alloy mount features an easy-to-use tilt/stow/deploy mechanism that also allows the motor to be locked to the transom.



**Available Thrust (lbs.):**  
80, 105  
**Speed Control:**  
Digital Variable  
**Shaft Length (in.):**  
42, 50

**DIGITAL**



Shaft is made of a premium composite material with a lifetime warranty. Lower unit is protected with a proprietary three-coating process to withstand corrosion.



ACCESSORIES

**Pinpoint® GPS**

**PINPOINT® GPS NAVIGATION SYSTEM**  
Ultra-precise GPS receiver and two digital compasses for incredibly accurate performance.  
**8M0092070**



**PINPOINT® GPS REPLACEMENT REMOTE**  
**8M0092071**



**NMEA 2000® STARTER KIT**  
For setting up an NMEA 2000® network required for a Pinpoint® GPS Gateway connection.  
**8M0107522**



**PINPOINT® GPS GATEWAY KIT** Seamlessly integrates MotorGuide® and Lowrance® technologies.  
**8M0092085**



**Rigging**

**TROLLING MOTOR POWER PLUG**

Two-prong 12-, 24- or 36-volt power plug provides a solid, safe connection.  
**8M4000953**



**TROLLING MOTOR POWER RECEPTACLE**  
Matching two-prong 12-, 24- or 36-volt trolling motor receptacle for bow-panel installation.  
**8M4000954**



**SONAR ADAPTERS WITH 7-PIN BLUE/GRAY CONNECTOR**  
The Sonar Adapters are designed to provide clean, clear signals for the leading sonar brands. For use with MotorGuide motors with blue/gray 7-pin sonar connector.

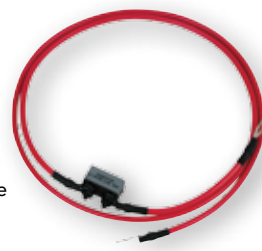
**LOWRANCE (6-Pin)**  
**8M4001959**

**VEXILAR (3-Pin)**  
**8M4001960**

**GARMIN (6-Pin)**  
**8M4001961**

**HUMMINBIRD (7-Pin)**  
**8M4001962**

**8-GAUGE BATTERY CABLE AND TERMINALS WITH 50-AMP MANUAL RESET BREAKER** Protect your investment with this 50-amp manual reset breaker and heavy-duty 8-ga. battery cable and terminal.  
**MM309922T**



**MANUAL RESET BREAKERS** Protect your motor and boat wiring from connection failures. Simple, durable push button reset.



(50-amp) **MM5870**



(60-amp) **8M0064076**

**QUICK CLAMP BATTERY CONNECTORS**  
Heavy-duty connectors for quick battery removal, charging, and storage.  
**8M0092072**

**TROLLING MOTOR REPLACEMENT PLUG**  
Use with 16- to 8-gauge wire. Easy to connect with Trolling Motor Receptacle 8M0092066.  
**8M0092065**



**TROLLING MOTOR RECEPTACLE**  
Use with 10-gauge and 8-gauge wire. Includes composite mounting plate.  
**8M0092066**



**TROLLING MOTOR RECEPTACLE – 6 GAUGE ADAPTER**  
Accepts 6-gauge wire. For use with Trolling Motor Receptacle 8M0092066.  
**8M0092067**



**Mounting**

**UNIVERSAL QUICK RELEASE BRACKET**  
Quickly attach or remove any cable or electric steer motors.  
**8M0095972**



**UNIVERSAL QUICK RELEASE BRACKET TOP PLATE** Flexibility to quickly and easily switch between motors.  
**8M0095973**



**Xi SERIES QUICK-RELEASE BRACKETS** (Hardware included)  
Composite, White  
**8M0092063**



Composite, Black  
**8M0120717**



Aluminum, Black  
**8M0092064**

**MOTORGUIDE® RAM® MOUNT TROLLING MOTOR STABILIZERS** Considered essential by northern anglers and saltwater fishermen alike. Prevents damage to motor, shaft and head in rough water conditions.



**STANDARD**  
**8M4000977**  
**LONG**  
**8M4000978**

**UNIVERSAL EXTENSION HANDLES** Locks into place to fit transom-mount trolling motors and most popular tiller engines.



**MGA503A1**



**MGA504A1**

**MOUNTING ISOLATORS**  
Absorbs shock and protects electronics. Four per package.  
**MGA015PB6**



**TIE DOWN STRAPS**  
The adjustable hook and loop strap keeps your trolling motor safely secured while trailering or on the water.  
**MGA507A1**



**TROLLING MOTOR MOUNTING KIT** Absorbs shock and protects electronics. Steel bolts and washers fit all trolling motors. Four per package.  
**8M4000873**



**BOUNCE BUSTER™ II**  
For Tour and X5 Mounts.  
**MGA097B6**

**Wireless Controls**

**Xi SERIES WIRELESS REMOTE** Before operation, the handheld remote must be synced with the trolling motor.  
2.4 GHZ  
**8M0092068**



**Xi SERIES WIRELESS FOOT PEDAL**  
Intuitive, pro-style "heel-toe" operation controls steering, makes it extremely quiet, precise, and 50% faster than the competition. 2.4 GHZ  
**8M0092069**





PROPS

**Fine-tuned Props.**

MotorGuide® offers a complete line of performance-tuned propellers to enhance your motor's all-around performance in any application. MotorGuide custom props were designed with the input of the Mercury® Propeller engineers and include weedless, power, and shallow water options.



Our exclusive Machete® III prop runs quiet and is the ultimate shallow-water performer.



The Safari™ weedless delivers quiet power.

2-Blade Power Prop  
Hub Size: 3"  
Application: Power & Efficiency  
MGA0476B



2-Blade Power Prop  
Hub Size: 3.5"  
Application: Power & Efficiency  
MGA0495B



3-Blade Aluminum Machete  
Hub Size: 3.5"  
Application: Shallow & Durability  
MGA087M



3-Blade Machete III Black  
Hub Size: 3.5"  
Application: Speed & Efficiency  
MGA089B



3-Blade Machete III Grey  
Glass-Filled  
Hub Size: 3.5"  
Application: Shallow & Durability  
MGA089G



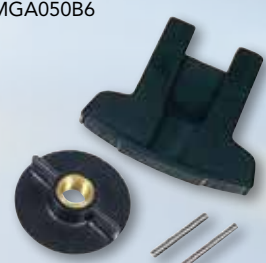
3-Blade Machete III White  
Glass-Filled  
Hub Size: 3.5"  
Application: Speed & Efficiency  
MGA089W



Safari™ Weedless  
Hub Size: 3.5"  
Application: Weedless & Power  
8M0028330



Ninja™ Prop Wrench  
Comes complete with spare prop nut and two prop pins, allowing fast prop changes.  
MGA050B6



APPAREL



**Mesh Back Cap**  
Unstructured, low profile. Adjustable Velcro closure.  
\$12.95



**Logo Long-sleeve Tee**  
100% cotton.  
Sizes S-3X - \$22.95



**Performance Tee**  
Moisture wicking 100% polyester with UPF 30+ sun protection  
Sizes S-3X - \$29.95



**Sport Wick Hoodie**  
Moisture wicking 100% polyester and anti-static.  
Sizes S-2X - \$39.95



**Backpack**  
Top-entry padded laptop compartment. Media pocket. Organization panel. Dual side beverage/accessory holsters. Adjustable shoulder straps.  
19.25"H x 13"W x 9.5"D.  
Fits most 15" laptops.  
\$55.00



**Logo Tee**  
100% cotton.  
Sizes S-3X - \$14.95



**Core Polo**  
Moisture wicking 100% Polyester.  
Sizes M-2X - \$23.95



**Floating Keychain**  
Neoprene key tag with floating foam insert. Max of 2 keys recommended.  
\$5.95



**Neoprene Koozie**  
Available in red or black.  
\$2.95 each

Order official MotorGuide merchandise by calling 1-877-302-6372 or visit us at [motorguide.com](http://motorguide.com)

SPECIFICATIONS

MotorGuide Motor Selection Chart - Freshwater Motors

Model	Part Number	Mount	Peak Thrust	Shaft	Shaft Material	Max AMP Draw	Volts
<b>X5 FOOT-CONTROL BOW MOUNT</b>							
X5-55FW FB 45" DIGITAL 12V	940500010	X5 Mount	55	45"	Composite	52	12
X5-55FW FB 45" DIGITAL 12V SNR	940500080	X5 Mount	55	45"	Composite	52	12
X5-70FW FB 45" DIGITAL 24V	940500170	X5 Mount	70	45"	Composite	42	24
X5-70FW FB 45" DIGITAL 24V SNR	940500180	X5 Mount	70	45"	Composite	42	24
X5-80FW FB 45" DIGITAL 24V	940500020	X5 Mount	80	45"	Composite	56	24
X5-80FW FB 45" DIGITAL 24V SNR	940500090	X5 Mount	80	45"	Composite	56	24
X5-80FW FB 50" DIGITAL 24V	940500030	X5 Mount	80	50"	Composite	56	24
X5-80FW FB 50" DIGITAL 24V SNR	940500100	X5 Mount	80	50"	Composite	56	24
X5-80FW FB 60" DIGITAL 24V	940500040	X5 Mount	80	60"	Composite	56	24
X5-80FW FB 60" DIGITAL 24V SNR	940500110	X5 Mount	80	60"	Composite	56	24
X5-105FW FB 45" DIGITAL 36V	940500050	X5 Mount	105	45"	Composite	36	36
X5-105FW FB 45" DIGITAL 36V SNR	940500120	X5 Mount	105	45"	Composite	36	36
X5-105FW FB 50" DIGITAL 36V	940500060	X5 Mount	105	50"	Composite	36	36
X5-105FW FB 50" DIGITAL 36V SNR	940500130	X5 Mount	105	50"	Composite	36	36
X5-105FW FB 60" DIGITAL 36V	940500070	X5 Mount	105	60"	Composite	36	36
X5-105FW FB 60" DIGITAL 36V SNR	940500140	X5 Mount	105	60"	Composite	36	36
<b>X5 HAND-CONTROL BOW MOUNT</b>							
X5-80FW HB 50" DIGITAL 24V	940500220	X5 Mount	80	50"	Composite	56	24
<b>X3 FOOT-CONTROL BOW MOUNT</b>							
X3-45FW 36" 12V	940200050	X3 Mount	45	36"	Composite	38	12
X3-45FW 45" 12V	940200060	X3 Mount	45	45"	Composite	38	12
X3-45FW 50" 12V	940200070	X3 Mount	45	50"	Composite	38	12
X3-55FW 36" 12V	940200080	X3 Mount	55	36"	Composite	52	12
X3-55FW 45" 12V	940200090	X3 Mount	55	45"	Composite	52	12
X3-55FW 50" 12V	940200100	X3 Mount	55	50"	Composite	52	12
X3-70FW 45" 24V	940200110	X3 Mount	70	45"	Composite	42	24
X3-70FW 50" 24V	940200120	X3 Mount	70	50"	Composite	42	24
X3-55FW 36" 12V DIGITAL	940200220	X3 Mount	55	36"	Composite	52	12
X3-55FW 45" 12V DIGITAL	940200170	X3 Mount	55	45"	Composite	52	12
X3-70FW 45" 24V DIGITAL	940200180	X3 Mount	70	45"	Composite	42	24
<b>X3 HAND-CONTROL BOW MOUNT</b>							
X3-45FW 50" HB 12V, HAND	940200200	X3 Mount	45	50"	Composite	44	12
X3-55FW 50" HB 12V, HAND	940200210	X3 Mount	55	50"	Composite	49	12
X3-55FW 50" HB 12V DIGITAL, HAND	940200190	X3 Mount	55	50"	Composite	49	12
X3-55FW 50" HB 12V DIGITAL PONTOON	940200230	X3 Mount	55	50"	Composite	49	12
X3-70FW 50" HB 24V, HAND	940200250	X3 Mount	70	50"	Composite	42	24
X3-70FW 50" HB 24V, DIGITAL, HAND	940200260	X3 Mount	70	50"	Composite	42	24
X3-70FW 50" HB 24V, DIGITAL, PONTOON	940200270	X3 Mount	70	50"	Composite	42	24

SPECIFICATIONS

Speed Control	Motor Directions	Directional Indicator	Steering	Propeller	Integrated Sonar	Pinpoint® GPS	Pinpoint® GPS Gateway	Battery Meter
Digital Variable	Forward	Lighted	Dual Cable/VRS	2bl Safari	No	No	No	Yes
Digital Variable	Forward	Lighted	Dual Cable/VRS	2bl Safari	Yes	No	No	Yes
Digital Variable	Forward	Lighted	Dual Cable/VRS	2bl Safari	No	No	No	Yes
Digital Variable	Forward	Lighted	Dual Cable/VRS	2bl Safari	Yes	No	No	Yes
Digital Variable	Forward	Lighted	Dual Cable/VRS	2bl Safari	No	No	No	Yes
Digital Variable	Forward	Lighted	Dual Cable/VRS	2bl Safari	Yes	No	No	Yes
Digital Variable	Forward	Lighted	Dual Cable/VRS	2bl Safari	No	No	No	Yes
Digital Variable	Forward	Lighted	Dual Cable/VRS	2bl Safari	Yes	No	No	Yes
Digital Variable	Forward	Lighted	Dual Cable/VRS	2bl Safari	No	No	No	Yes
Digital Variable	Forward	Lighted	Dual Cable/VRS	2bl Safari	Yes	No	No	Yes
Digital Variable	Forward	Lighted	Dual Cable/VRS	2bl Safari	No	No	No	Yes
Digital Variable	Forward	Lighted	Dual Cable/VRS	2bl Safari	Yes	No	No	Yes
Digital Variable	Forward	Lighted	Dual Cable/VRS	2bl Safari	No	No	No	Yes
Digital Variable	Forward	Lighted	Dual Cable/VRS	2bl Safari	Yes	No	No	Yes
Digital Variable	Forward/Reverse	No	Twist/Extendable	3bl Machete	No	No	No	Yes
5	Forward	Yes	Dual Cable/VRS	2bl Safari	No	No	No	Yes
5	Forward	Yes	Dual Cable/VRS	2bl Safari	No	No	No	Yes
5	Forward	Yes	Dual Cable/VRS	2bl Safari	No	No	No	Yes
5	Forward	Yes	Dual Cable/VRS	2bl Safari	No	No	No	Yes
5	Forward	Yes	Dual Cable/VRS	2bl Safari	No	No	No	Yes
5	Forward	Yes	Dual Cable/VRS	2bl Safari	No	No	No	Yes
Digital Variable	Forward	Lighted	Dual Cable/VRS	2bl Safari	No	No	No	Yes
Digital Variable	Forward	Lighted	Dual Cable/VRS	2bl Safari	No	No	No	Yes
Digital Variable	Forward	Lighted	Dual Cable/VRS	2bl Safari	No	No	No	Yes
5/2	Forward/Reverse	No	Twist/Extendable	3bl Machete	No	No	No	No
5/2	Forward/Reverse	No	Twist/Extendable	3bl Machete	No	No	No	No
Digital Variable	Forward/Reverse	No	Twist/Extendable	3bl Machete	No	No	No	Yes
Digital Variable	Forward/Reverse	No	Twist/Extendable	3bl Machete	No	No	No	Yes
5/2	Forward/Reverse	No	Twist/Extendable	3bl Machete	No	No	No	No
Digital Variable	Forward/Reverse	No	Twist/Extendable	3bl Machete	No	No	No	Yes
Digital Variable	Forward/Reverse	No	Twist/Extendable	3bl Machete	No	No	No	Yes



SPECIFICATIONS

SPECIFICATIONS

MotorGuide Motor Selection Chart - Freshwater Motors

Model	Part Number	Mount	Peak Thrust	Shaft	Shaft Material	Max AMP Draw	Volts
<b>Xi5 WIRELESS ELECTRIC STEER BOW MOUNT</b>							
Xi5-55FW 45" 12V FP SNR GPS	940800210	Xi5 Mount	55	45"	Composite	52	12
Xi5-55FW 48" 12V FP	940800170	Xi5 Mount	55	48"	Composite	52	12
Xi5-55FW 48" 12V FP SNR GPS	940800211	Xi5 Mount	55	48"	Composite	52	12
Xi5-55FW 54" 12V FP	940800180	Xi5 Mount	55	54"	Composite	52	12
Xi5-55FW 54" 12V FP SNR GPS	940800220	Xi5 Mount	55	54"	Composite	52	12
Xi5-80FW 45" 24V FP SNR GPS	940800270	Xi5 Mount	80	45"	Composite	56	24
Xi5-80FW 54" 24V FP	940800080	Xi5 Mount	80	54"	Composite	56	24
Xi5-80FW 54" 24V FP SNR GPS	940800230	Xi5 Mount	80	54"	Composite	56	24
Xi5-80FW 60" 24V FP	940800090	Xi5 Mount	80	60"	Composite	56	24
Xi5-80FW 60" 24V FP SNR GPS	940800240	Xi5 Mount	80	60"	Composite	56	24
Xi5-80FW 72" 24V FP SNR GPS	940800350	Xi5 Mount	80	72"	Composite	56	24
Xi5-105FW 48" 36V FP SNR GPS	940800280	Xi5 Mount	105	48"	Composite	41	36
Xi5-105FW 54" 36V FP	940800130	Xi5 Mount	105	54"	Composite	41	36
Xi5-105FW 54" 36V FP SNR GPS	940800250	Xi5 Mount	105	54"	Composite	41	36
Xi5-105FW 60" 36V FP	940800140	Xi5 Mount	105	60"	Composite	41	36
Xi5-105FW 60" 36V FP SNR GPS	940800260	Xi5 Mount	105	54"	Composite	41	36
Xi5-105FW 72" 36V FP SNR GPS	940800360	Xi5 Mount	105	72"	Composite	41	36
<b>Xi3 WIRELESS ELECTRIC STEER BOW MOUNT</b>							
Xi3-45FW 48"	940700140	Xi3 Mount	45	48"	Composite	38	12
Xi3-54FW 48" PONTOON	940700210	Xi3 Mount	54	48"	Composite	52	12
Xi3-55FW 48" GPS	940700010	Xi3 Mount	55	48"	Composite	52	12
Xi3-55FW 54" GPS	940700020	Xi3 Mount	55	54"	Composite	52	12
Xi3-55FW 54" SNR	940700060	Xi3 Mount	55	54"	Composite	52	12
Xi3-55FW 54" SNR/GPS	940700100	Xi3 Mount	55	54"	Composite	52	12
Xi3-55FW 48"	940700160	Xi3 Mount	55	48"	Composite	52	12
Xi3-55FW 54"	940700170	Xi3 Mount	55	54"	Composite	52	12
Xi3-55FW 60"	940700180	Xi3 Mount	55	60"	Composite	52	12
Xi3-68FW 48" PONTOON	940700220	Xi3 Mount	68	48"	Composite	42	24
Xi3-70FW 54" GPS	940700030	Xi3 Mount	70	54"	Composite	42	24
Xi3-70FW 54" SNR	940700070	Xi3 Mount	70	54"	Composite	42	24
Xi3-70FW 60" SNR	940700080	Xi3 Mount	70	60"	Composite	42	24
Xi3-70FW 54" SNR/GPS	940700120	Xi3 Mount	70	54"	Composite	42	24
Xi3-70FW 60" SNR/GPS	940700130	Xi3 Mount	70	60"	Composite	42	24
Xi3-70FW 54"	940700190	Xi3 Mount	70	54"	Composite	42	24
Xi3-70FW 60"	940700200	Xi3 Mount	70	60"	Composite	42	24
<b>R5 HAND-CONTROL TRANSMOUNT</b>							
R5-70FW HT 42" 24V	940300030	#09 Transom Wide-Bite®	70	42"	Composite	42	24
R5-80FW HT 42" 24V	940300040	#09 Transom Wide-Bite®	80	42"	Composite	56	24
R5-105FW HT 42" 36V	940300050	#09 Transom Wide-Bite®	105	42"	Composite	36	36
<b>R3 HAND-CONTROL TRANSMOUNT</b>							
R3-30 HT 30" 12V 03MT	940100170	#03 Transom	30	30"	Aluminum	36	12
R3-40 HT 36" 12V 03MT	940100160	#03 Transom	40	36"	Aluminum	43	12
R3-40 HT 36" 12V DIGITAL 03MT	940100200	#03 Transom	40	36"	Aluminum	43	12
R3-45 HT 36" 12V 09MT	940100150	#09 Transom Wide-Bite®	45	36"	Composite	44	12
R3-45 HT 36" 12V DIGITAL 09MT	940100180	#09 Transom Wide-Bite®	45	36"	Composite	44	12
R3-55 HT 36" 12V 09MT	940100140	#09 Transom Wide-Bite®	55	36"	Composite	49	12
R3-55 HT 36" 12V DIGITAL 09MT	940100190	#09 Transom Wide-Bite®	55	36"	Composite	49	12
R3-55 HT 42" 12V DIGITAL 09MT	940100210	#09 Transom Wide-Bite®	55	42"	Composite	49	12
<b>BULLDOG FOOT-CONTROL TRANSMOUNT</b>							
BULLDOG 40 30" 03MT	921500020	#09 Transom Wide-Bite®	40	30"	Aluminum	38	12
BULLDOG 54 30" 09MT	921500090	#09 Transom Wide-Bite®	54	30"	Aluminum	52	12

Speed Control	Motor Directions	Directional Indicator	Steering	Propeller	Integrated Sonar	Pinpoint® GPS	Pinpoint® GPS Gateway	Battery Meter
Digital Variable	Forward	No	Wireless Pedal/Remote	2bl Safari	Yes	Yes	Compatible	Yes
Digital Variable	Forward	No	Wireless Pedal	2bl Safari	No	Compatible	Compatible	Yes
Digital Variable	Forward	No	Wireless Pedal/Remote	2bl Safari	Yes	Yes	Compatible	Yes
Digital Variable	Forward	No	Wireless Pedal	2bl Safari	No	Compatible	Compatible	Yes
Digital Variable	Forward	No	Wireless Pedal/Remote	2bl Safari	Yes	Yes	Compatible	Yes
Digital Variable	Forward	No	Wireless Pedal/Remote	2bl Safari	Yes	Yes	Compatible	Yes
Digital Variable	Forward	No	Wireless Pedal	2bl Safari	No	Compatible	Compatible	Yes
Digital Variable	Forward	No	Wireless Pedal/Remote	2bl Safari	Yes	Yes	Compatible	Yes
Digital Variable	Forward	No	Wireless Pedal/Remote	2bl Safari	Yes	Yes	Compatible	Yes
Digital Variable	Forward	No	Wireless Pedal	2bl Safari	No	Compatible	Compatible	Yes
Digital Variable	Forward	No	Wireless Pedal/Remote	2bl Safari	Yes	Yes	Compatible	Yes
Digital Variable	Forward	No	Wireless Pedal	2bl Safari	No	Compatible	Compatible	Yes
Digital Variable	Forward	No	Wireless Pedal/Remote	2bl Safari	Yes	Yes	Compatible	Yes
Digital Variable	Forward	No	Wireless Pedal/Remote	2bl Safari	Yes	Yes	Compatible	Yes
Digital Variable	Forward	No	Wireless Remote	3bl Machete	No	Compatible	Compatible	Yes
Digital Variable	Forward	No	Wireless Remote	3bl Machete	No	Compatible	Compatible	Yes
Digital Variable	Forward	No	Wireless Remote	3bl Machete	No	Yes	Compatible	Yes
Digital Variable	Forward	No	Wireless Remote	3bl Machete	No	Yes	Compatible	Yes
Digital Variable	Forward	No	Wireless Remote	3bl Machete	Yes	Compatible	Compatible	Yes
Digital Variable	Forward	No	Wireless Remote	3bl Machete	Yes	Yes	Compatible	Yes
Digital Variable	Forward	No	Wireless Remote	3bl Machete	No	Compatible	Compatible	Yes
Digital Variable	Forward	No	Wireless Remote	3bl Machete	No	Yes	Compatible	Yes
Digital Variable	Forward	No	Wireless Remote	3bl Machete	Yes	Compatible	Compatible	Yes
Digital Variable	Forward	No	Wireless Remote	3bl Machete	Yes	Yes	Compatible	Yes
Digital Variable	Forward	No	Wireless Remote	3bl Machete	No	Compatible	Compatible	Yes
Digital Variable	Forward	No	Wireless Remote	3bl Machete	No	Compatible	Compatible	Yes
Digital Variable	Forward	No	Twist/Extendable	3bl Machete	No	No	No	Yes
Digital Variable	Forward	No	Twist/Extendable	3bl Machete	No	No	No	Yes
Digital Variable	Forward	No	Twist/Extendable	3bl Machete	No	No	No	Yes
5/2	Forward/Reverse	No	Twist/Extendable	2bl	No	No	No	No
5/2	Forward/Reverse	No	Twist/Extendable	3bl Machete	No	No	No	No
Digital Variable	Forward/Reverse	No	Twist/Extendable	3bl Machete	No	No	No	Yes
5/2	Forward/Reverse	No	Twist/Extendable	3bl Machete	No	No	No	No
Digital Variable	Forward/Reverse	No	Twist/Extendable	3bl Machete	No	No	No	Yes
5/2	Forward/Reverse	No	Twist/Extendable	3bl Machete	No	No	No	No
Digital Variable	Forward/Reverse	No	Twist/Extendable	3bl Machete	No	No	No	Yes
Digital Variable	Forward/Reverse	No	Twist/Extendable	3bl Machete	No	No	No	Yes
5	Forward	Yes	Single Cable	3bl Machete	No	No	No	No
5	Forward	Yes	Single Cable	3bl Machete	No	No	No	No







Consumer Service: 1-920-929-5040

Eagle, HDS and Lowrance are registered trademarks of Navico. Garmin is a registered trademark of Garmin Ltd. MotorGuide, Mercury Marine, Mercury Propellers, Machete, and Pinpoint are registered trademarks of Brunswick Corporation. WideBite, and Bounce Buster are trademarks of Brunswick Corporation. Humminbird is a trademark of Johnson Outdoors, Inc. VELCRO is a registered trademark of Velcro Industries B.V. Vexilar is a registered trademark of Vexilar, Inc.

